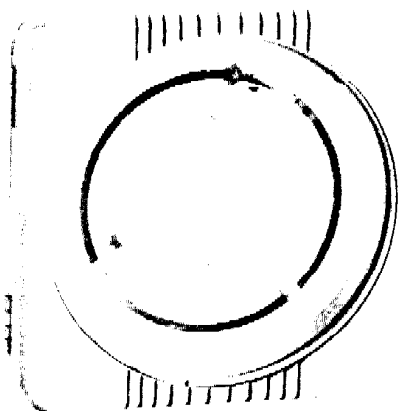




HG FLEXOPULSE® SERIES REPEAT CYCLE TIMER

SPECIFICATIONS



... Closes and opens a contact repeatedly as long as synchronous motor is energized.

FEATURES

- Wide range of adjustments - Suitable for multiplicity of jobs requiring widely different timing.
- Timing variable without setting cams or changing gears.
- Extra large 6" dial - Easy to read.
- "ON" setting controls closure time of one side of double throw switch.
- "OFF" setting controls closure time of other side of switch.
- The ON-OFF indicators can be set anywhere on the scale, so long as the two do not cross.

OPERATION

An indicator continuously oscillates between the setting of the two adjustable arms. The single-pole double-throw switch is actuated (or released) each time the indicator passes "0". The FLEXOPULSE® timer has a synchronous timing motor which is geared to drive two toothed wheels in opposite directions. The indicator and associated cam plate has a pawl which engages one of the wheels and is rotated with it. When the indicator reaches the dial arm setting, the pawl is switched to engage the other wheel, thereby reversing the direction of the indicator.

Time Ranges

Table 1

SYMBOL	Dial	Minimum ON or OFF Setting*	Accuracy
1	60 Sec	1/2 Sec	1/4 Sec
2	120 Sec	1 Sec	1/2 Sec
3	5 Min	2 1/2 Sec	1 1/4 Sec
4	20 Min	10 Sec	5 Sec
5	60 Min	30 Sec	15 Sec
6	120 Min	1 Min	1/2 Min

* Minimum setting equals one scale division. The maximum setting of one arm is determined by the setting of the other. The sum of both settings cannot exceed the full dial scale.

Voltage & Frequency

120V (+10%, -15%) 50/60 Hz
240V (+10%, -15%) 50/60 Hz

Output Rating

10 Amps - 110 VAC
5 Amps - 220 VAC

Maximum inrush load rating on 2-3 contact (ON time) is three times above continuous rating; for 2-1 contact (OFF time) 1.5 times above rating.

Temperature Range

-20° to +140°F (-29° to 60°C)

Laboratory Testing

U.L. Recognition E-61735 (On 120/240 VAC 60Hz)
C.S.A. Certification LR-26861 (On 120/240 VAC 60Hz)

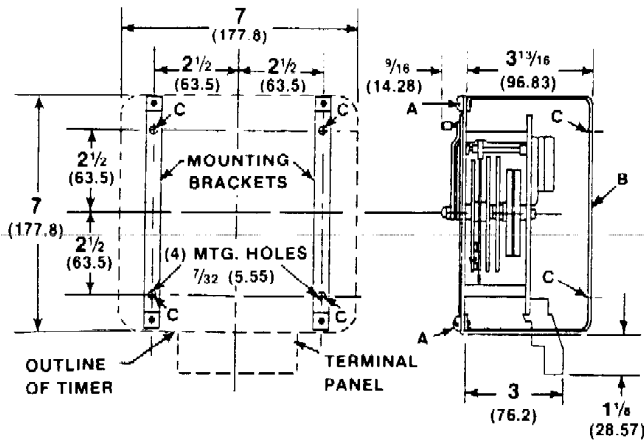
Eagle Signal Controls

A Mark IV Industries Company
8004 Cameron Road, Austin, Texas 78753 U.S.A.

TIME CONTROL



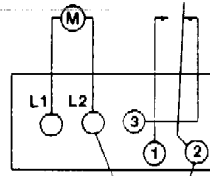
MOUNTING DIMENSIONS HG8 SERIES



TO MOUNT TIMER:

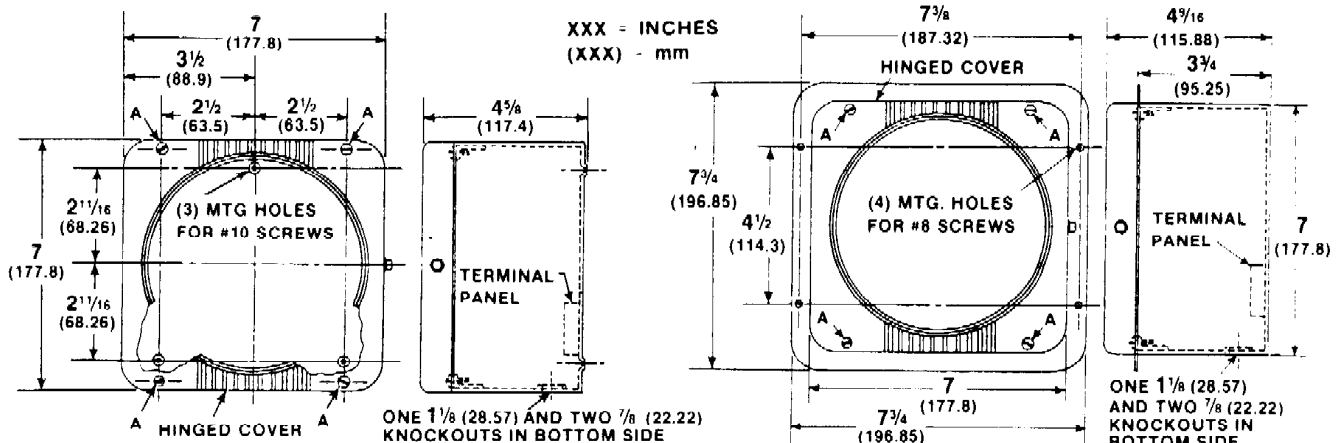
1. Remove the two mounting brackets by removing the 4 screws marked "A"
2. Fasten mounting brackets "B" to switch board panel using the 7/32" diameter holes marked "C"
3. Make necessary wiring connections to terminal panel

WIRING DIAGRAM



NOTE: The closure of the contacts connected to terminals No. 1 and NO 2 is controlled by the setting of the "off" indicator. The closure of the contacts connected to terminals No. 2 and No 3 is controlled by the setting of the "on" indicator.

MOUNTING DIMENSIONS HG 9 SERIES



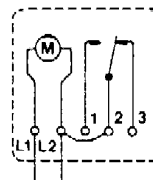
HG 93 In Surface Mounted NEMA 1 Enclosure

HG 94 In Semi-Flush Mounted NEMA 1 Enclosure

MOUNTING INSTRUCTIONS

1. Remove timer from case as follows:
 - a. Open hinged cover
 - b. Remove 4 screws "A" in top plate
2. Mount case on wall with three No. 10 mounting screws.
3. Connect conduit to one K.O. and connect wires to terminal panel in the cabinet.
4. Replace timer in case and replace 4 screws "A". Electrical connections to timer are made by spring clips pressed into contact when timer is installed.

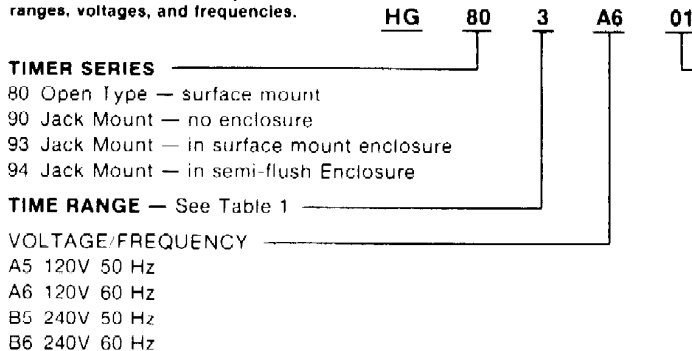
WIRING DIAGRAM



NOTE: The closure of the contacts connected to terminals No. 1 and No. 2 is controlled by the setting of the "off" indicator. The closure of the contacts connected to terminals No. 2 and No. 3 is controlled by the setting of the "on" indicator.

ORDERING INFORMATION

Consult Eagle for availability of other time ranges, voltages, and frequencies.



Request Bulletin 320E for timer parts list.

FEATURES

- 01 With (2) SPDT output switches
- 05 Timer revised for mounting in NEMA VII explosion proof enclosure.
- 91 HG90 timer mounted in NEMA VII semi-flush mounted explosion proof enclosure
- 92 HG90 timer mounted in NEMA VII surface mounted explosion proof enclosure